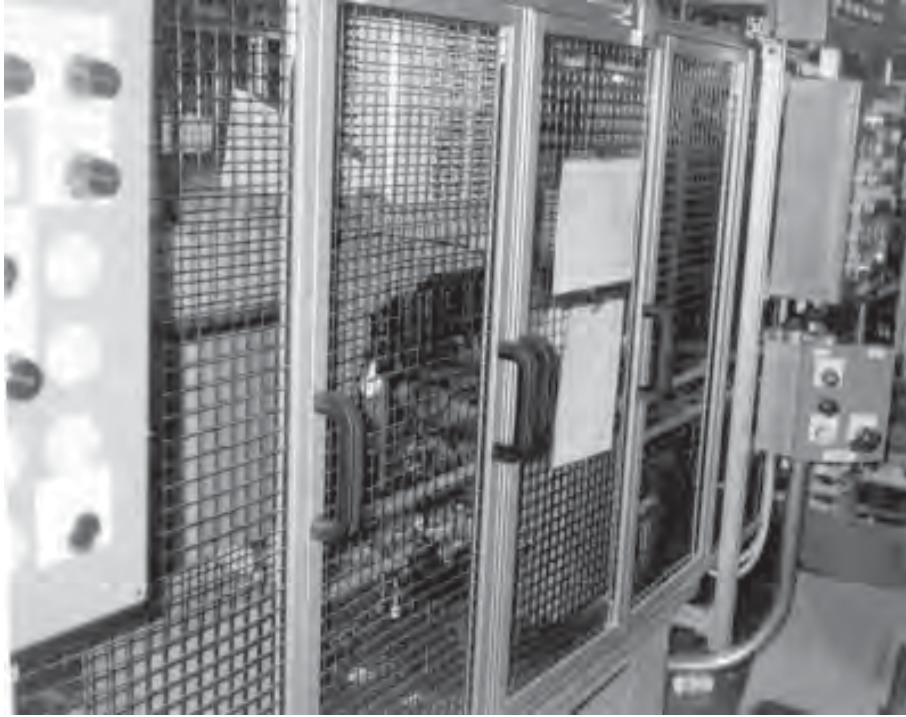


## Panels, Panel Mounting & Other Accessories

2

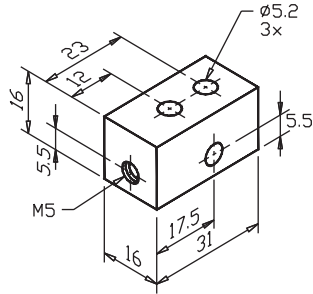


Wire mesh guarding on assembly conveyor line

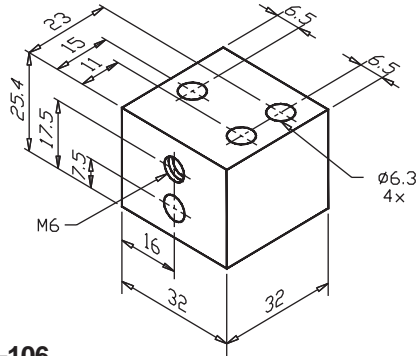


Machine safety enclosure using Lexan panels

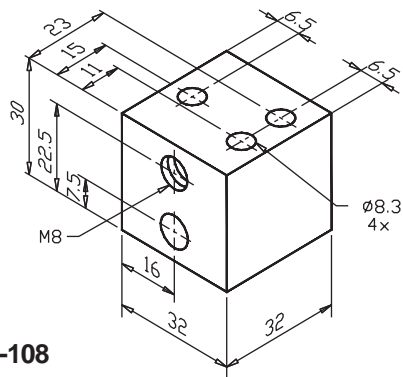
# Multiblock AI



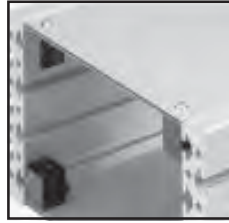
22-105



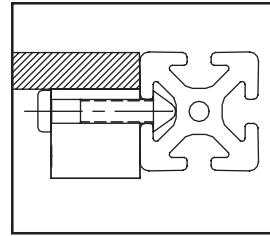
22-106



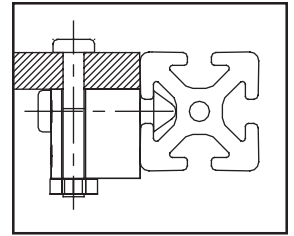
22-108



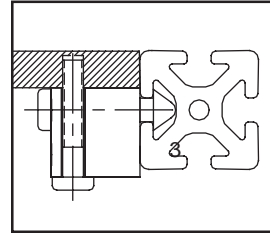
Aluminum panel mounted to 160x28 profile with Multiblock AI



1



2



3

1 - 3 Various fastening options for panels on Multiblock AI

### Application

Mounting element for panels and accessories. Various mounting dimensions are obtained by rotating the block. For use with 40, 30 and 28 series profiles.

### Technical Data

Al, clear anodized  
Max. load at 90° angle to T-slot:  
22-105: 500 N (112 lbs)  
22-106: 750 N (169 lbs)  
22-108: 1000 N (225 lbs)

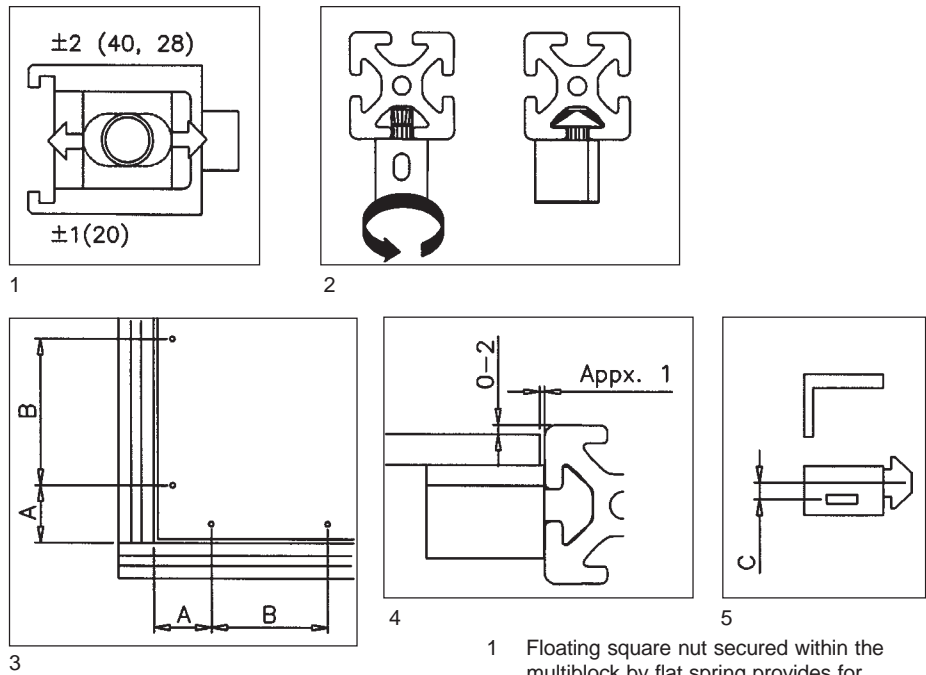
### Description

Multiblock AI, M5  
Multiblock AI, M6  
Multiblock AI, M8

Unit	Weight	Part #
1 pc	18 g	22-105
1 pc	58 g	22-106
1 pc	60 g	22-108

# Multiblock and Uniblock PA

Versatile elements for mounting panels, screens and small fixtures. The block locks into the T-slot at a 90° position with an offset design to suit various panel thicknesses. Movable, captive, spring-loaded nut provides large alignment range for locating through holes in panels.



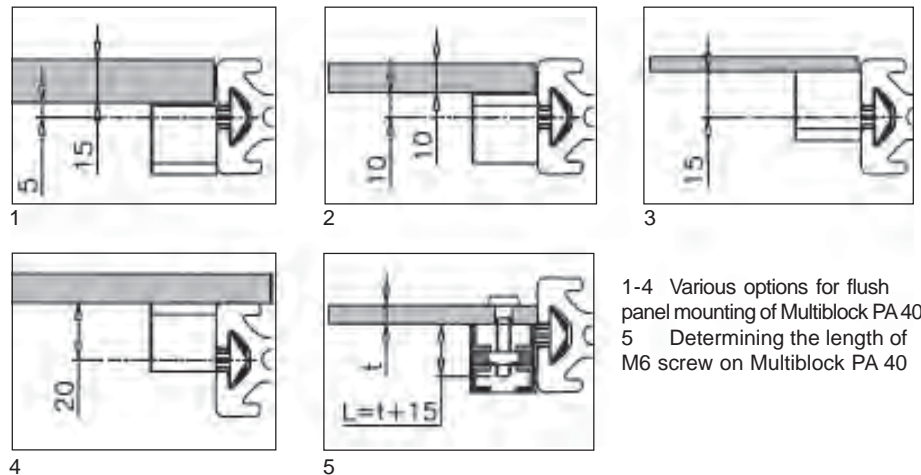
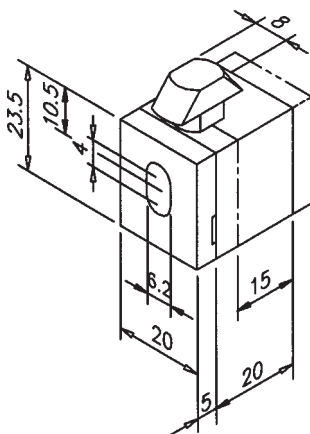
- 1 Floating square nut secured within the multiblock by flat spring provides for alignment flexibility
- 2 Insertion of Multiblock PA in the T-slot
- 3-4 Recommended gaps for assembling Multiblocks PA
- 5 Distance between Multiblock center and floating nut

### Technical Data

Glass-filled nylon, black with square nut, M6 or M4

Profile Series	Max. load at 90° to T-slot	Dimensions (mm)		
		A	B	C
45	250 N (56 lbs)	80	400-600	9
40	250 N (56 lbs)	80	400-600	5
30, 28	210 N (47 lbs)	70	400-500	2.8
20	100 N (22 lbs)	60	300-400	2

## Multiblock PA 40



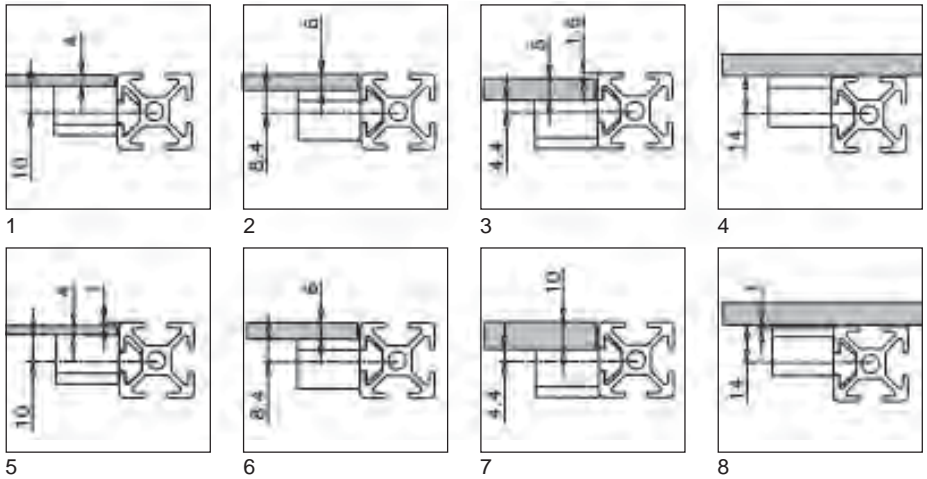
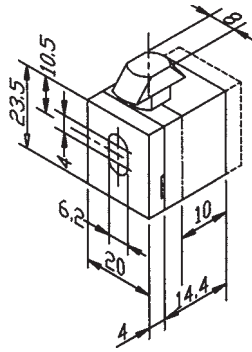
- 1-4 Various options for flush panel mounting of Multiblock PA 40
- 5 Determining the length of M6 screw on Multiblock PA 40

**Description**  
Multiblock PA 40, M6

**Unit** 1 pc  
**Weight** 13 g  
**Part #** 22-100

Inquire about quantity discounts

### Multiblock PA 30/28



1-4 Mounting options for Multiblock PA 30/28 on 28 series profiles  
5-6 Mounting options for Multiblock PA 30/28 on 30 series profiles

**Description**

Multiblock PA 30/28, M6

**Unit**

1 pc

**Weight**

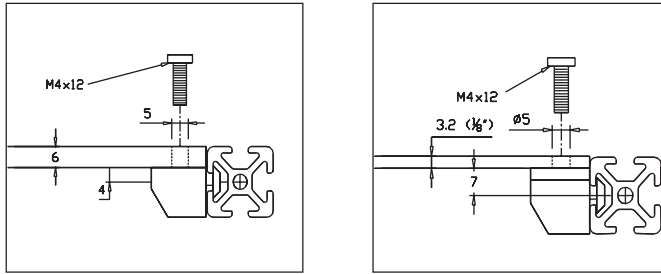
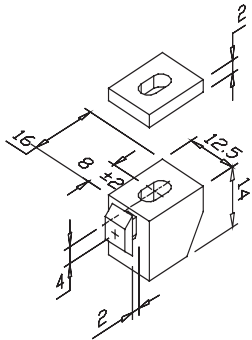
10 g

**Part #**

22-103

Inquire about quantity discounts

### Uniblock PA 20



Mounting options for Uniblock PA 20

**Description**

Uniblock PA 20, M4

**Unit**

1 pc

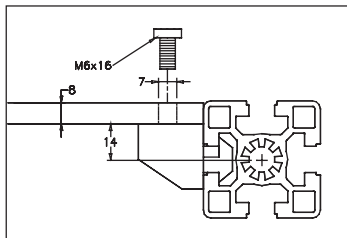
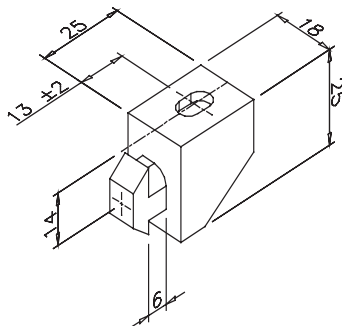
**Weight**

3 g

**Part #**

22-107

### Uniblock PA 45



**Description**

Uniblock PA 45, M6

**Unit**

1 pc

**Weight**

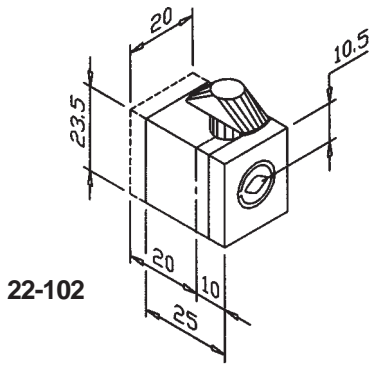
g

**Part #**

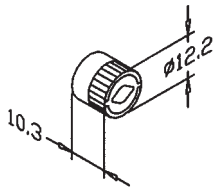
17-113



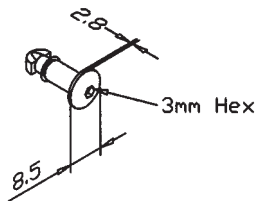
# Multiblock PA with 1/4 Turn Receptacle



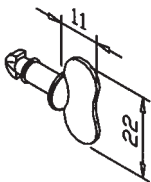
22-102



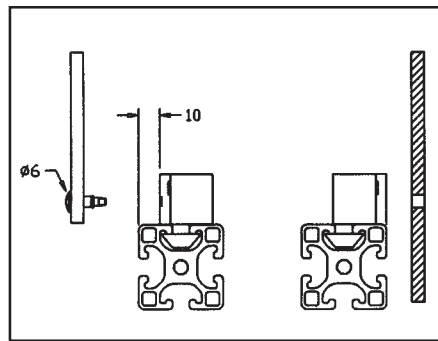
22-102Z2



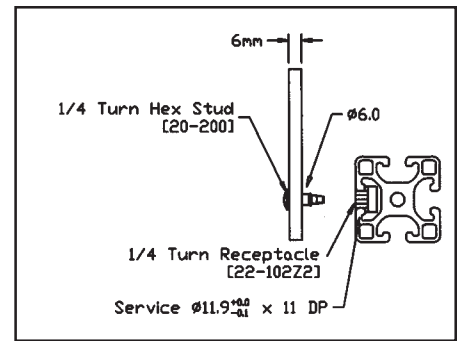
22-090



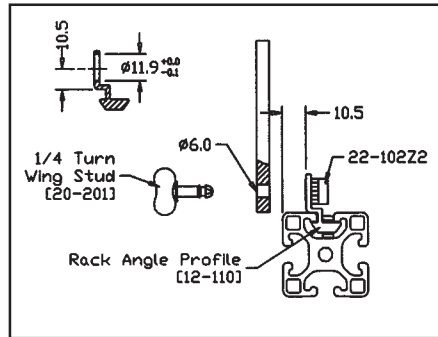
22-091



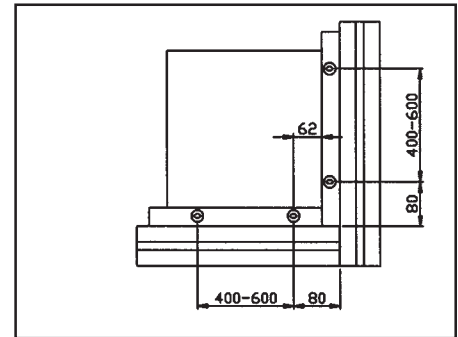
1



2



3



4

- 1 Panel mounted to Multiblock PA 40 with 1/4 Turn Receptacle
- 2 Panel mounted directly to profile with receptacle pressed into profile
- 3-4 Panel mounted to 19" Rack Angle with 1/4 Turn Receptacle for light or dust tight applications

### Application

For easy, quick removable mounting of panels to 40 series profiles. Multiblock locks into T-slot at 90° position. Two different type studs for 6mm panels offer easy access and will not fall out of properly machined holes when panel is removed.

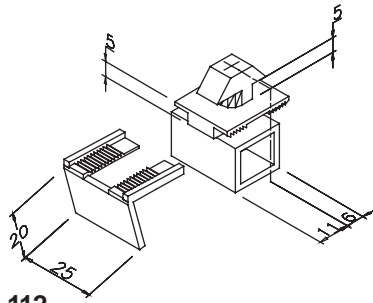
### Technical Data

Multiblock body: glass-filled nylon, black  
Receptacle & stud: steel, galvanized

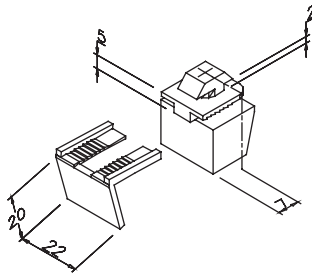
**Order 1/4 turn stud separately.**

Description	Unit	Weight	Part #
Multiblock PA 40 with 1/4 Turn Receptacle	1 pc	16 g	22-102
1/4 Turn Receptacle	1 pc	4 g	22-102Z2
1/4 Turn Socket Stud (for 6mm panel)	1 pc	4 g	22-090
1/4 Turn Wing Stud (for 6mm panel)	1 pc	5 g	22-091

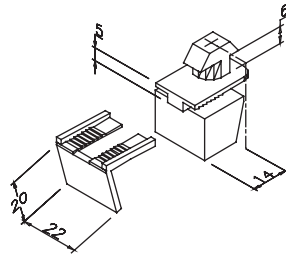
# Clamp Multiblock



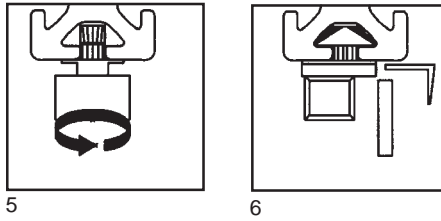
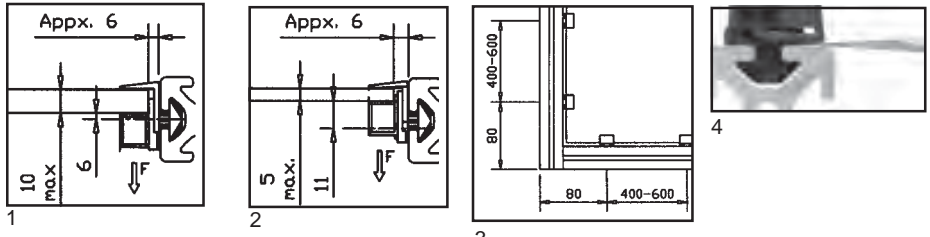
22-112



22-113



17-112



- 1 Mounting position for panels up to 10mm thick to clamp Multiblock 40.
- 2 Mounting position for panels up to 5mm thick Multiblock rotated 180°
- 3 Edge distance between panel element and profile
- 4 Locking clip is easily loosened with a screw driver.
- 5-6 Assembly of clamp Multiblock in profile T-slot

### Application

Mounting element for attaching panels to 28, 30, 40 and 45 series profiles without using additional fasteners or machining the panel. Insert multiblock into T-slot at any location and lock in position by turning 90° clockwise. Slide locking clip to secure the panel. To remove panel loosen locking clip with a flat screwdriver.

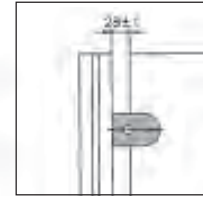
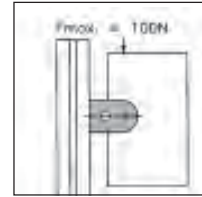
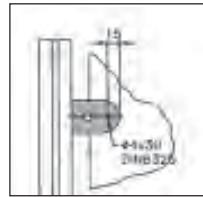
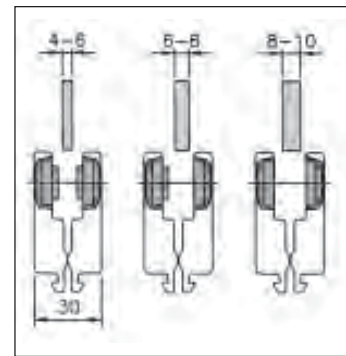
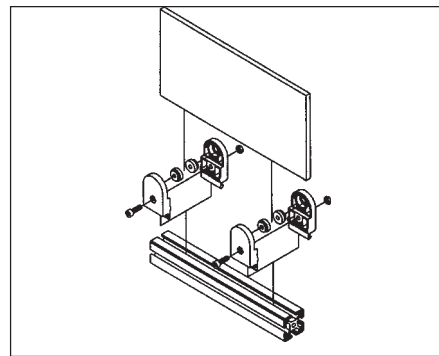
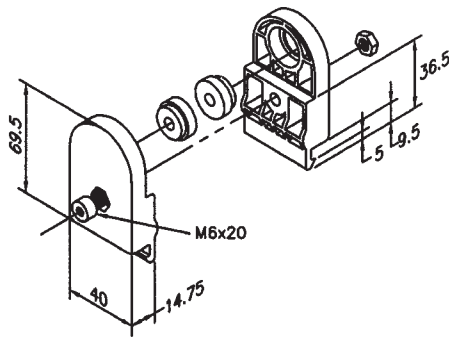
### Technical Data

Glass-filled nylon, black  
22-112: Max. load in direction F: 250 N (56 lbs), in opposite direction: 50 N (11 lbs)

Max panel thickness  
22-112: 10 mm (3/8")  
22-113, 17-112: 8mm (5/16")

Description	Unit	Weight	Part #
Clamp Multiblock 40	1 set	10 g	22-112
Clamp Multiblock 28/30	1 set	7 g	22-113
Clamp Multiblock 45	1 set	9 g	17-112

# Panel Clamp



2

3

4

- 1 Mounting locations of spacers for panels 4-10mm thick
- 2 Possible positions for securing panels against movement
- 3 Max. loading for each Panel Clamp without pinning
- 4 Edge spacing

### Application

For securing panels to 40 series profiles without servicing panel. Suitable for attachment of unframed panels, mesh or lexan.

### Technical Data

Glass-filled nylon, black  
Includes one M6x20 SHCS, one M6 hex nut and nylon spacers.  
Max. load: 100 N (22lbs)

### Description

Panel Clamp

### Unit

1 pc

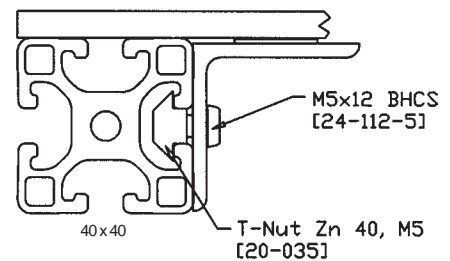
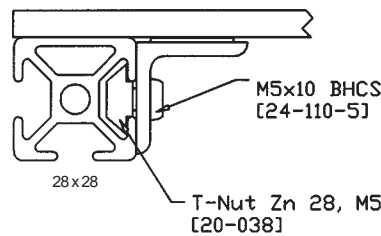
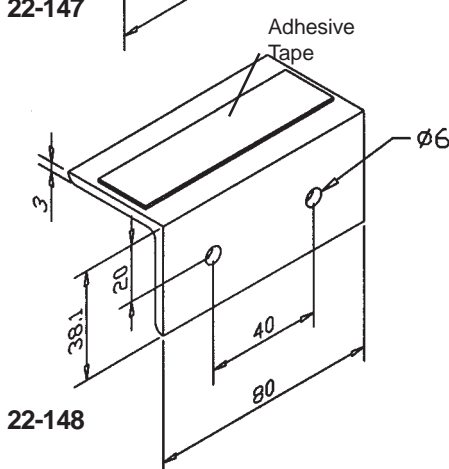
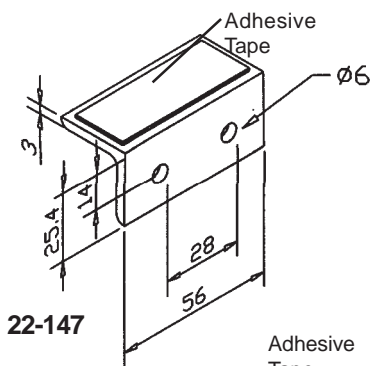
### Weight

65 g

### Part #

23-002

# Panel Mounting Angle



### Application

For mounting table top and panels to 28 or 40 series profiles. No drilling required. Adhesive tape ensures secure attachment to mounting angle.

### Technical Data

Al, clear anodized  
Tape: acrylic foam closed cell, very high bond adhesive; 0.64 mm (0.025") thick x 19 mm (0.75") wide

### Description

Panel Mounting Angle 28  
Panel Mounting Angle 40

### Order all hardware separately

### Unit

1 pc

### Weight

22 g

### Part #

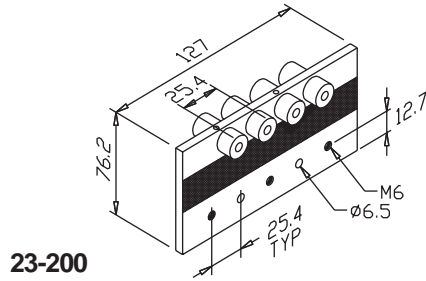
22-147

1 pc

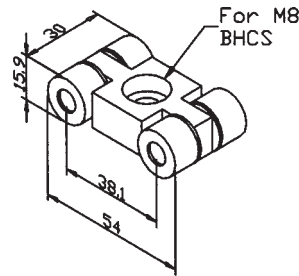
51 g

22-148

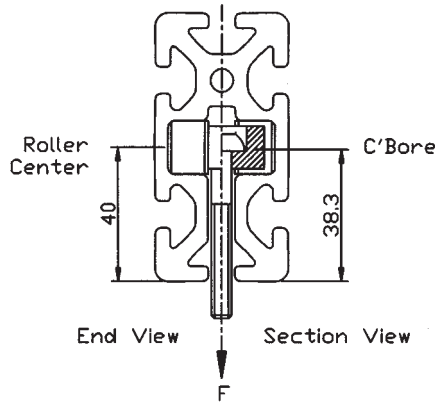
# Rail Carts for 80x40 Rail Profile



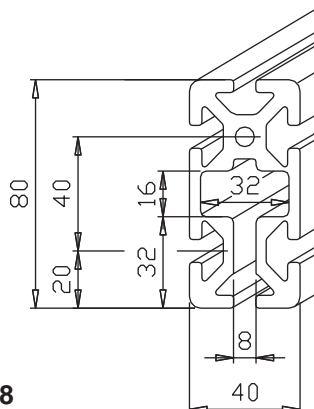
23-200



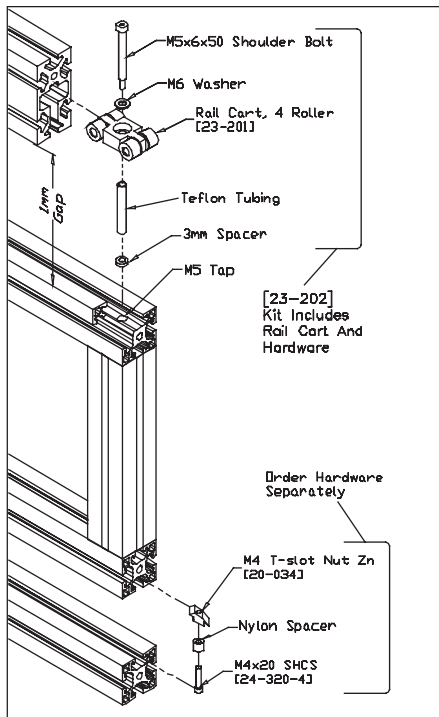
23-202



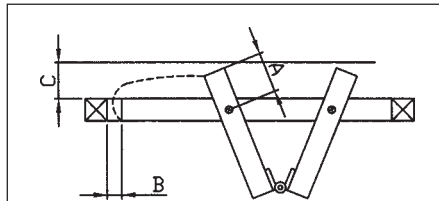
End View Section View



14-248



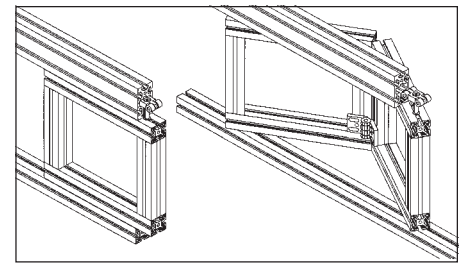
1



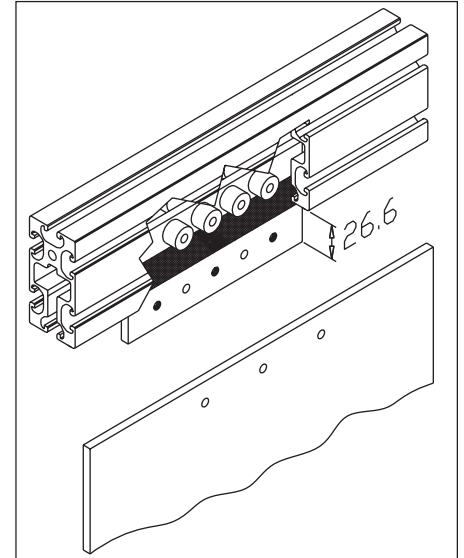
Required clearance C and required gap B depend on location of pivot point A.

For 40 Series Profiles:  
 $B = \sqrt{A^2 + 20^2} - A$   
 $C = \sqrt{A^2 + 20^2} - 20$   
 For  $A \leq 27$   $B = 27 - A$

2



3



4

- 1 Assembling the 4-Roller Rail Cart to a door frame. Apply Loctite™ to M6 screw to prevent loosening. Guide along lower section for sliding door using nylon spacer (8mm long, O.D. 8mm)
- 2 Calculations for Bi-fold sliding doors
- 3 Sliding Door and Bi-fold sliding door assemblies
- 4 8-Roller Rail Cart assembly in 80x40 Rail profile

## Application

Designed for use in 80x40 Rail Profile 14-248. Rail carts used for hanging and sliding doors and other hanging components such as on a work station. In addition, 4-roller cart can also be used for folding doors. Attachment to components with a variety of fasteners.

## Description

- 8-Roller Rail Cart
- 4-Roller Rail Cart
- 4-Roller Rail Cart w/ Fastening Set
- Profile 80x40 Rail Transport

## Technical Data

Housing: Al  
 Wheel: Delrin w/ needle roller bearing  
 Washer: Nylon  
 Max. load for 23-201: 220 N (50 lbs)

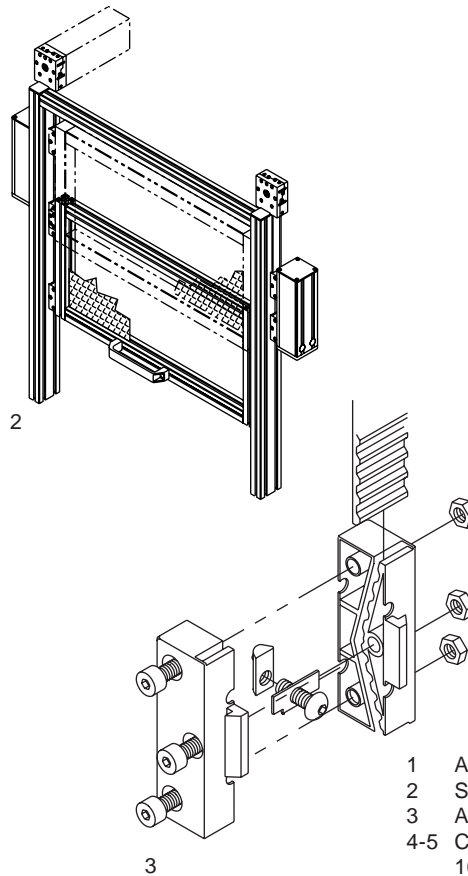
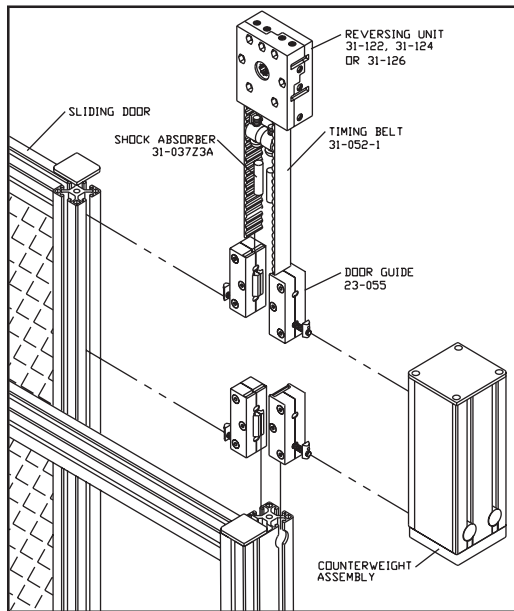
Hardware included with 23-202:  
 M5x6x50 shoulder bolt, M6 washer, teflon tubing and 3mm spacer

Unit	Weight	Part #
1 set	.20 kg	23-200
1 pc	45 g	23-201
1 set	64 g	23-202
cut off max. 6M	4.19 kg/m	14-248

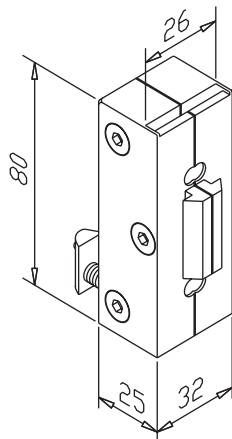




# Door Guide System



- 1 Assembly of the Door Guide System
- 2 Sliding Door with two counterweights
- 3 Assembly of the Door Guide
- 4-5 Counterweight Assemblies 80x80 and 160x80



23-055

## Application

Door guides are used to build doors that operate between two vertical 40 series profiles. The weight of the door may be counter-balanced by one or two counterweights that are connected to the door space with door guides, timing belt 25T10 and reversing unit 40.

The size of the counterweight is determined by the weight of the door. The operation of the door may be motorized by attachment of a suitable drive to one of the reversing units.

## Door Guides

Four guides are usually attached to the door, and slide in the inside slots of the vertical 40 series profiles. Two guides are attached to each of the counterweights, and slide in the outer slots of the vertical frame profiles.

## Counterweights

Duct wall support and wall profiles are used to build the counterweight. A closure plate attached with four M6 Profile-to-Wall Fasteners forms the bottom of the counterweight. Heavy metal scrap may be used as filler material. Suitable conduit cap is used to close the top of the counterweight.

## Closure Plate

St, black epoxy finish  
Complete with fastening set

## Technical Data

Door Guide: Polyoxymethylen, black  
Complete with the following:  
Steel plate insert, M6x25 BHCS,  
M6 T-slot nut St, three M6x25 SHCS,  
and three M6 hex nuts

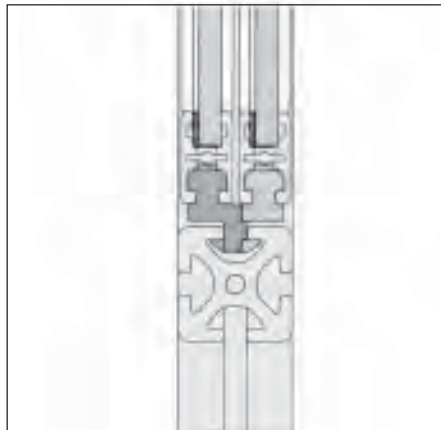
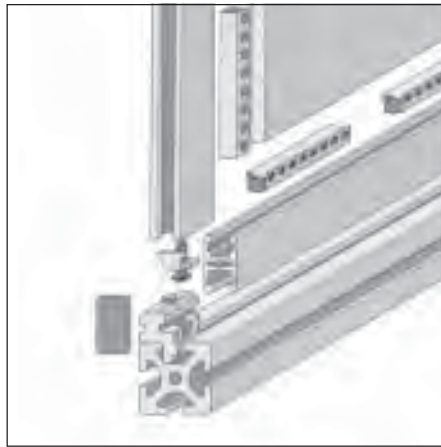
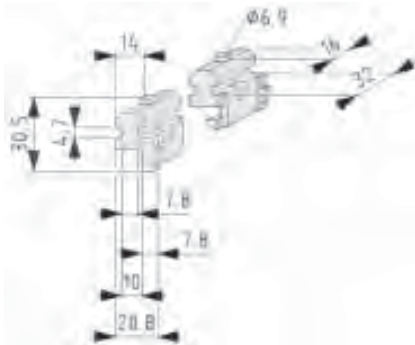
## Description

Door Guide  
Closure Plate 80x80  
Closure Plate 160x80

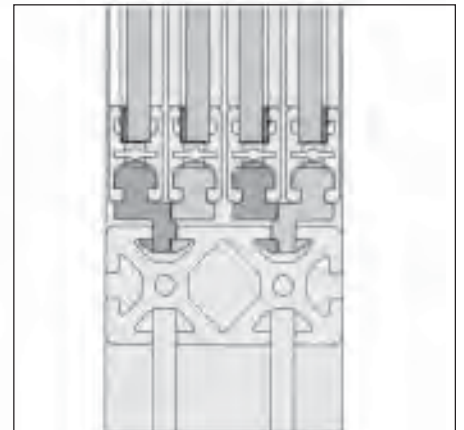
Unit	Weight	Part #
1 set	.12 kg	23-055
1 set	.48 kg	21-155
1 set	.96 kg	21-156

# Sliding-Door Guide

See page 24 for application details



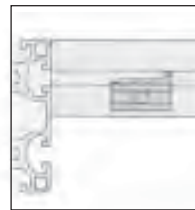
1



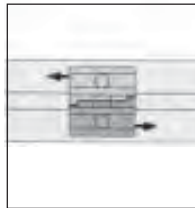
2



3



4



5

- 1 Two sliding doors in T-slot of a 40 series profile
- 2 Four sliding doors in T-slots of an 80x40 profile
- 3 Mounting dimensions within a frame
- 4 Slide piece positioning in the T-slot
- 5 Guide pieces function as stops when two doors slide in the same T-slot

### Application

For constructing sliding door of 32x18 Bi-slot profile. One set required for each sliding door. Guides attach to door frame through 7mm mounting bore.

### Technical Data

Polyoxymethylen, black  
Spring/ Spring Bolt: St

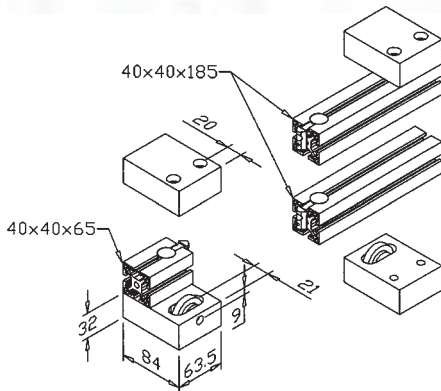
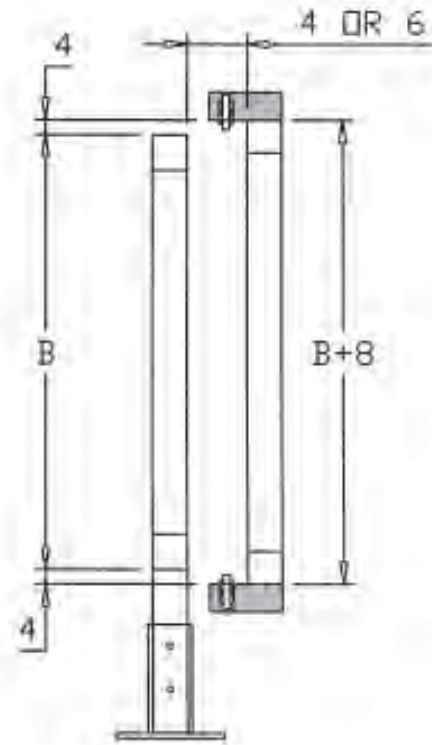
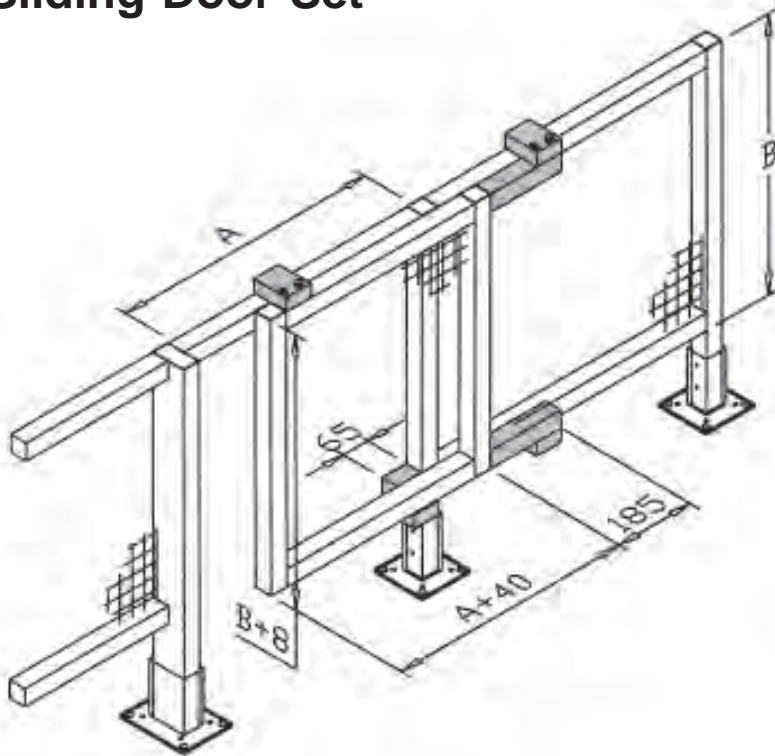
Set includes four guides - two left, two right

### Description

Sliding-Door Guides for 32x18 Bi-slot

Unit	Weight	Part #
1 set	36 g	23-054

# Sliding Door Set



### Application

For constructing a sliding door of 40 series profiles. Two 185mm long support members are attached to the sliding frame with Universal Fasteners. 65mm long member is attached to vertical post with one Universal Fastener. Roller holders are attached with Double T-slot nut 40 and SHCS.

### Technical Data

Construction kit: Al, clear anodized  
Fully machined and ready for assembly.

Includes: four Roller Holders, four Rollers PA, three Supporting members 40x40 std fastening hardware and end caps.

### Description

Sliding Door Set

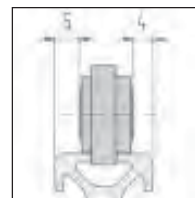
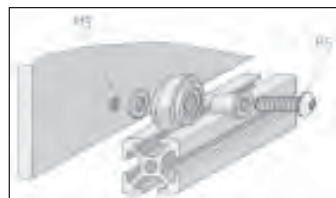
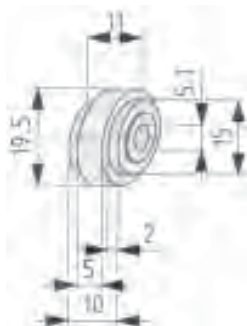
### Unit

1 set

### Part #

23-065

# Roller 20



Asymmetrically designed roller allows for various clearance dimensions.

### Application

Versatile caster for mounting 20 Series profiles. Panel or in profile mounting for rolling door applications.

### Technical Data

Polyoxymethylen, black  
Includes Bearing Hub St, black with washer, galvanized  
Max. force 50 N (11 lbs)

### Description

Roller 20

### Unit

1 pc

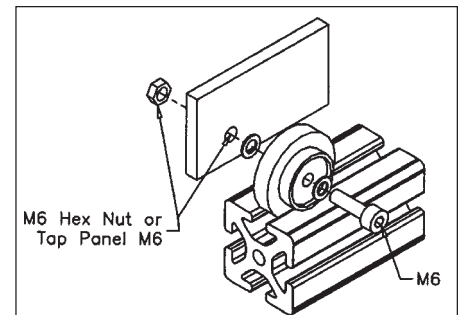
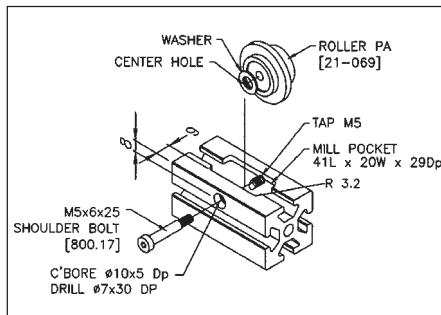
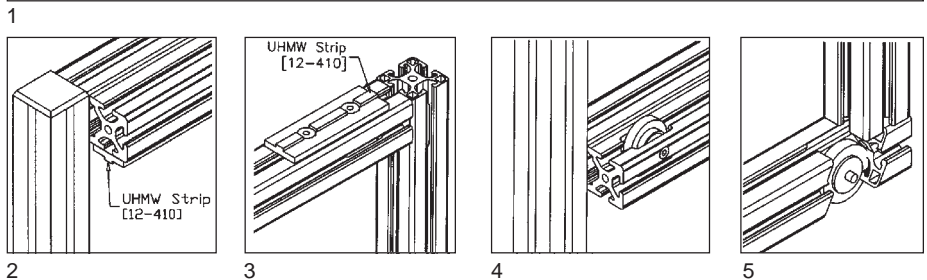
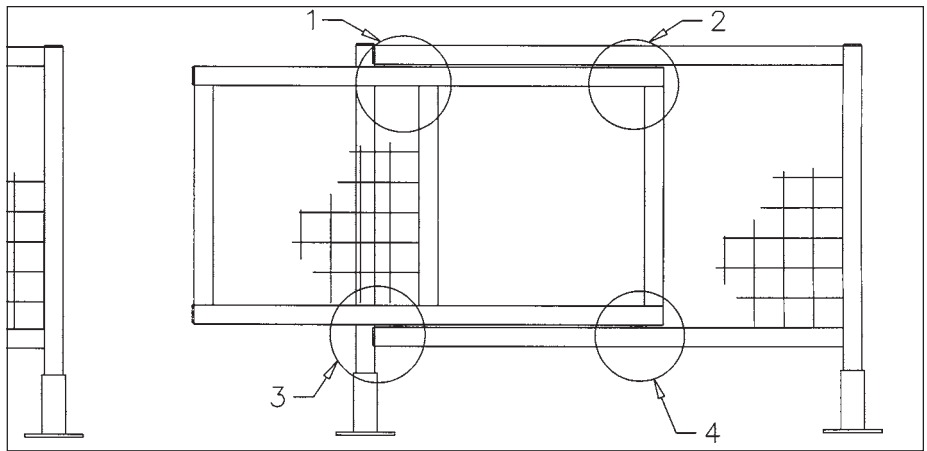
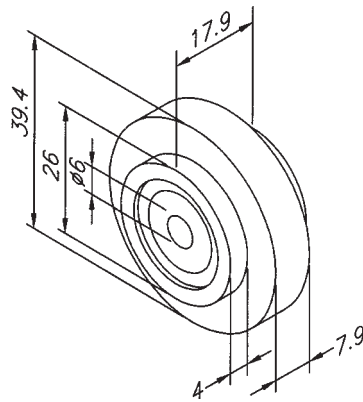
### Weight

4 g

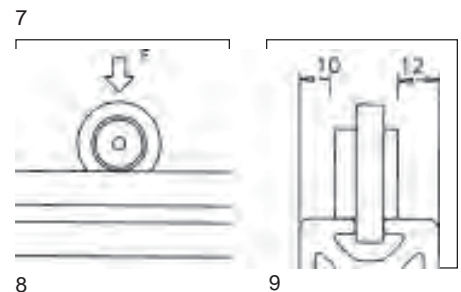
### Part #

21-066

# Roller 40



- 1-5 Application and details for sliding door with Roller PA 40
- 6 Servicing for Roller PA mounted in 40x40 Heavy profile
- 7 Mounting the Roller PA 40 for a sliding panel application
- 8 Max. load  $F = 150\text{ N}$
- 9 Dimensions of offset on 40 series profile



### Application

Versatile ball bearing roller which can be mounted in the T-slot. Roller has asymmetric design for various clearance dimensions such as on sliding doors and panels.

### Technical Data

Glass-filled nylon, black complete with two deep groove ball bearings with dust covers and two M6 flat washers  
Max. load 150 N (34 lbs)

### Description

Roller PA 40  
Shoulder Bolt M5x6x25

### Unit

1 pc  
1 pc

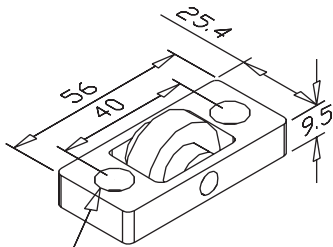
### Weight

32 g

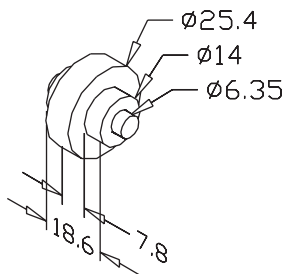
### Part #

21-069  
800.17

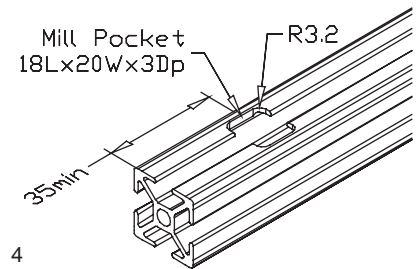
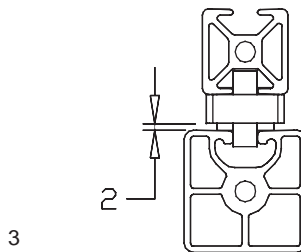
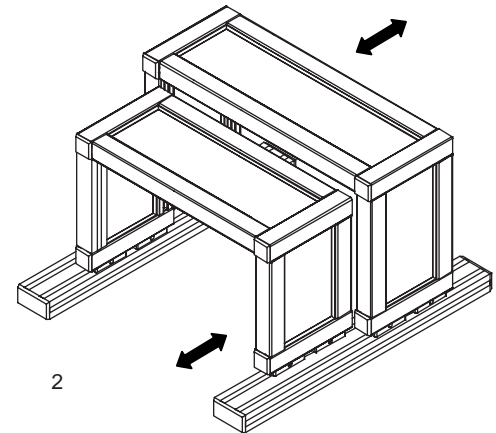
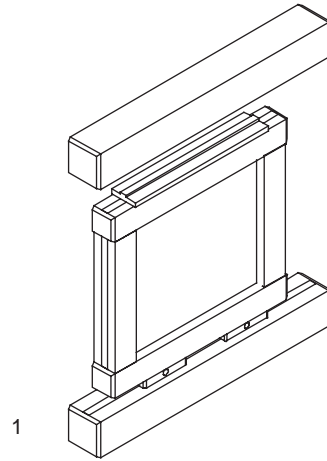
# Roller 25 Insert



21-065  
For M6 SHCS



21-065z1



- 1 Rolling door constructed with 28 series profiles guided on top with UHMW strip 12-410
- 2 Two bypassing covers constructed with 28 series profiles rolling on a pair 30x60 profiles.
- 3 Clearance dimensions
- 4 Required machining for mounting roller insert to a 40, 30, or 28 series profile.

### Application

Versatile roller insert for rolling door applications can be attached to any 40, 30, or 28 series profile (machining is required). Step roller can be used for sliding panel applications.

### Technical Data

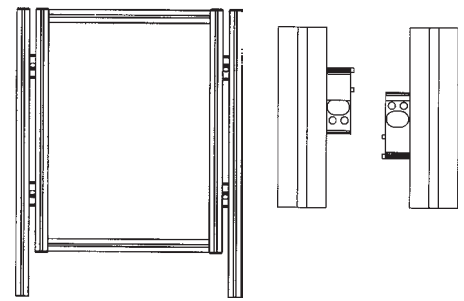
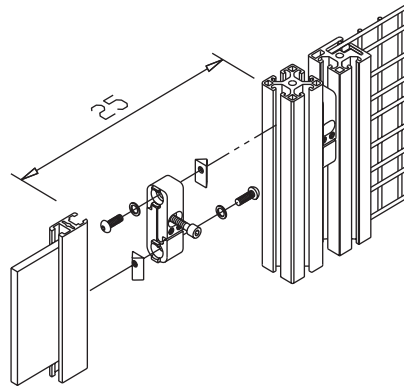
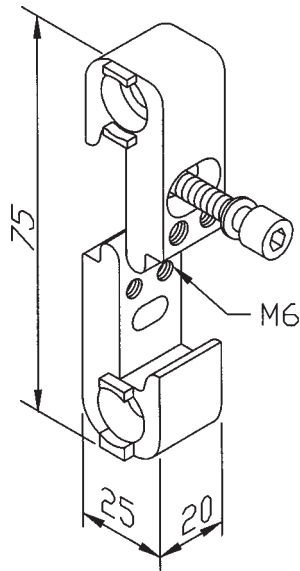
Roller: Delrin, black  
Housing: Al, anodized  
Pin: SS

### Order all hardware separately.

- 40 series: M6x14 SHCS (24-314-6) and M6 Offset Economy T-Nut (20-190)
- 30 series: M6x12 SHCS (24-312-6) and M6 Offset Economy T-Nut (20-190)
- 28 series: M6x10 SHCS (24-310-6) and M6 Offset Economy T-Nut (20-190)

Description	Unit	Weight	Part #
Roller 25 Insert	1 pc	32 g	21-065
Step Roller 25	1 pc	8 g	21-065z1

# Panel Frame Fastener



Frame element with four sets of Panel Frame Fasteners

### Application

Provides for quick and easy attachment of framed panels to a post. Fastener halves may be secured with a screw from the front or the rear. Designed for use with 40 series profiles but can be used on 30 and 28 series if alignment pins are ground off.

### Technical Data

Glass-filled nylon, black  
Set includes:  
two frame fastener halves, one M6 washer and one M6x16 SHCS

### Order all hardware separately

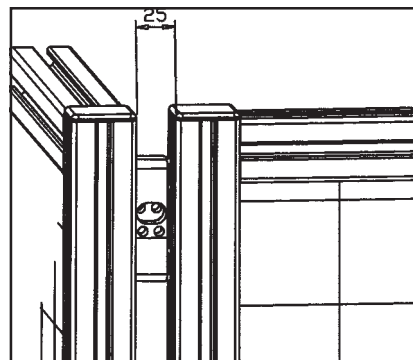
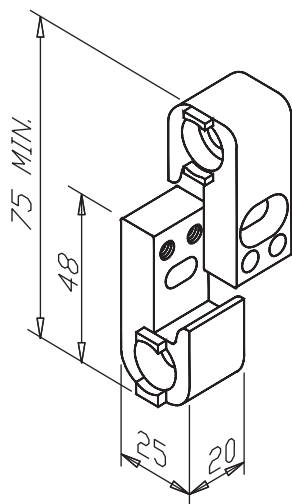
Fastening Set 23-050: two M8x25 BHCS, two rib spring washers and two M-8 T-slot nuts

### Description

Panel Frame Fastener  
Fast. Set for Panel Frame/Door Stop

Unit	Weight	Part #
1 set	37 g	23-001
1 set	40 g	23-050

# Door Stop



### Application

Door stop for swinging doors. Attaches with screws anywhere along the T-slot.

### Technical Data

Glass-filled nylon, black  
Set includes two door bumpers

### Order all hardware separately

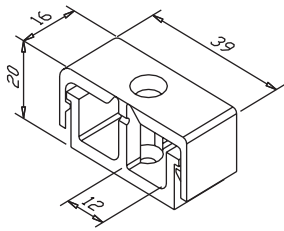
Fastening Set 23-050: two M8x25 BHCS, two rib spring washers and two M8 T-slot nuts

### Description

Door Stop  
Fast. Set for Panel Frame/Door Stop

Unit	Weight	Part #
1 set	30 g	23-048
1 set	40 g	23-050

## Cable/Hose Holder



### Application

Mounting element with two separate channels for routing open wiring or tubing of variable sizes along the profiles or other surfaces.

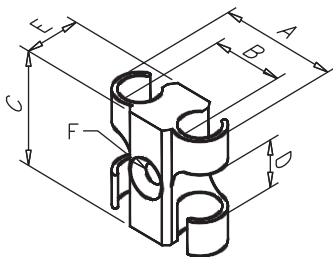
### Technical Data

Glass-filled nylon, black  
Includes M4x10 SHCS and M4 T-slot nut Zn.  
Max. cable diameter 12mm

**Description**  
Cable/Hose Holder

**Unit** 1 set  
**Weight** 8 g  
**Part #** 22-200

## T-Clip



### Application

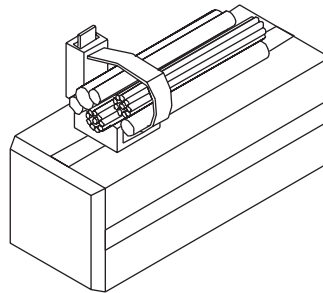
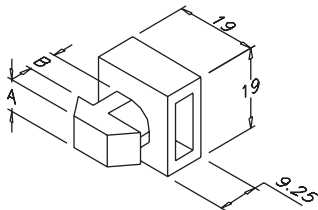
Mounting element with two separate channels for fast, easy securing and routing of open wiring or tubing to IPS profiles.

### Technical Data

Glass-filled nylon, black  
Complete with appropriate screw and T-slot nut Zn for mounting to 40 series profiles.

Range	Dimensions (mm)						Part #
(mm)	A	B	C	D	E	F	
4-6	15	10	18	6	9	3	22-204
6-8	20	12	20	8	9	3	22-206
8-10	25	15	24	10	12	4	22-208
10-13	31	18	28	12	12	4	22-210
13-16	35	21	36	14	17	4	22-212
16-19	44	25	43	17	20	5	22-215
19-22	52	31	50	20	23	5	22-218
22-25	66	40	64	25	28	7	22-222

## Cable Tie Holder



### Application

Mounting elements for fast and easy securing open wiring or tubing to 28, 30, 40 and 45 series profiles with plastic tie (not included). Insert holder into T-slot at any location and lock in position by turning 90° clockwise.

### Technical Data

Glass-filled nylon, black

Description	Dimensions (mm)		Weight	Part #
	A	B		
Cable Tie Holder, 45	10	6	5 g	17-201
Cable Tie Holder, 40	8	4.5	4 g	22-202
Cable Tie Holder, 28/30	8	2	4 g	22-201

## Polycarbonate Panel (LEXAN®)



### Application

High-impact resistant polycarbonate panels provide clarity, safety, security and energy savings. Meets every industry standard for general purpose window glazing.

### Technical Data

Polycarbonate, clear or grey smoke  
Thickness: 6mm (.236")  
Max. size: 1219.2 x 2438.4mm (4 x 8')  
Weight: 7.62 kg/m<sup>2</sup> (1.56 lb/ft<sup>2</sup>)

### Description

6mm Polycarbonate Panel

### Color

clear  
smoke

### Unit

sq. meter  
sq. meter

### Part #

26-790-6  
26-795-6

Call for other shades and thicknesses currently in stock

## High Strength Composite Panel (TRESPA®)

### Application

TRESPA is a solid grade decorative building panel, based on thermosetting resins, homogeneously reinforced with cellulose fibers. Suitable for horizontal surfaces and vertical panels. Resistant to scratches, corrosives and solvents. TRESPA is non-toxic, asbestos free, has good fire retarding characteristics and is finished on both sides. It can be cut, milled, drilled and engraved. TRESPA comes in a variety of colors to compliment the clean style of IPS profiles. Can be used in cleanrooms with classification 1, 10, 100, 1 000, 10 000, 100 000.

Thickness mm (in)	Weight kg/m <sup>2</sup> (lb/ft <sup>2</sup> )	Part #					
		Black	Grey	Blue	Lt. Green	Red	White
6 (.236)	8.57(1.74)	26-410-6	26-420-6	26-430-6	26-440-6	26-460-6	-
8 (.315)	11.4 (2.33)	26-410-8	26-420-8	26-430-8	26-440-8	26-460-8	26-480-8
10 (.394)	14.3 (2.93)	-	-	26-430-10	26-440-10	26-460-10	26-480-10

Order unit - sq. meter. Max size 1828.8 x 2438.4mm (6 x 8').  
(Call for other colors and thicknesses currently in stock)

## Expanded PVC Panel (Sintra®)

### Application

UL recognized light panel material for doors, shelves and enclosures. May be cut, drilled and milled.

Thickness mm (in)	Weight kg/m <sup>2</sup> (lb/ft <sup>2</sup> )	Part #			
		Black	Blue	Red	White
6 (2.36)	4.19 (0.858)	26-510-6	26-530-6	26-560-6	26-580-6

Order unit - sq. meter. Max size 1219.2 x 2438.4mm (4 x 8').



## Aluminum Compound Panel



### Application

General panel element to replace fabricated sheet metal. May be cut with a circular saw. Both sides anodized. Laminated tempered hardboard panel with permanently elastic neoprene adhesive protects against moisture and allows for thermal expansion.

### Technical Data

Exterior finish: .032" Al, clear anodized  
Substrate: water resistant hardboard  
Thickness: 6.35 mm (.250")  
Max. size: 1219.2 x 2438.4 mm (4 x 8')  
Weight: 7.8 kg/m<sup>2</sup> (1.6 lb/ft<sup>2</sup>)

### Description

Aluminum Compound Panel

### Unit

sq. meter

### Part #

26-170-6

## Wire Mesh Panel



### Application

Wire mesh provides a high level of security and can be used for safety guarding and enclosures around machinery, robotic cells, etc. Constructed of flat welded steel wire with fuse-bonded PVC coating in black or yellow. Extremely rust and corrosion resistant. Provides a smooth, snag-free surface, requiring little maintenance.

Mesh Size	Wire Gage	Color	Max. Size inches	Weight kg/m <sup>2</sup> (lb/ft <sup>2</sup> )	Part #
1/2" x 1/2"	16	Black	48 x 96	2.89 (0.59)	26-210-05
1" x 1"	12	Black	48 x 96	4.17 (0.85)	26-210-10
1" x 1"	12	Yellow	48 x 96	4.17 (0.85)	26-250-10
1 1/2" x 1 1/2"	12	Black	48 x 72	2.98 (0.61)	26-210-15
2" x 2"	12	Black	48 x 96	1.92 (0.39)	26-210-20

Order unit - sq. meter. Max size 4 x 8' (4 x 6' for 26-210-15)

## Aluminum Panels and Plates

Grade 6061 heat treatable mill finish panels and plates can be provided cut to size and machined per customer drawings. Thickness range: 1/8" to 1". Anodizing available on request. Call your local service center for other types of material in stock (example: stainless steel).

## VHB™ Tape

### Application

VHB™ (Very High Bond) **double coated** acrylic foam tape. Excellent long term holding power. For use on many interior and exterior applications. Obtain optimum adhesion on clean, dry and well unified bonding surface.

### Technical Data

Adhesive family: VHB  
Adhesive carrier: Acrylic foam closed cell  
Thickness: 0.64 mm (0.025")  
Width: 19mm (.75")  
Color: White  
Peel adhesion: 350 N/100 mm (20 lb/in)  
Dynamic shear: 690 kPA (100 lb/in<sup>2</sup>)  
Temperature tolerance: long-term 93°C (200°F)

### Description

VHB™ Tape

### Unit

cut off max. 65M

### Part #

26-001M

## Panel Packaging

### Application

To insure that panels are received in the best possible condition, a packaging charge is applied to all panels, specific to the weight and size of the package.

### Description

Panel Packaging

### Unit

each pkg

### Part #

19-026